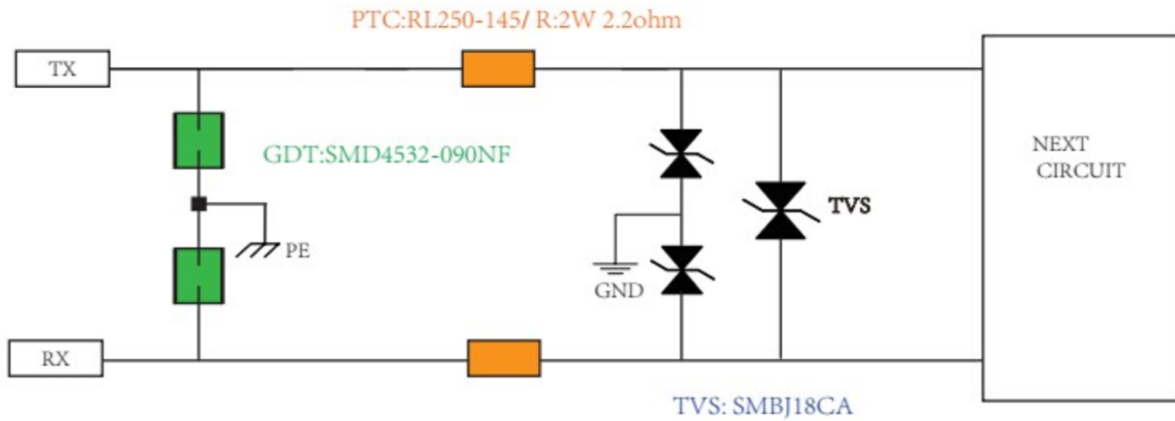


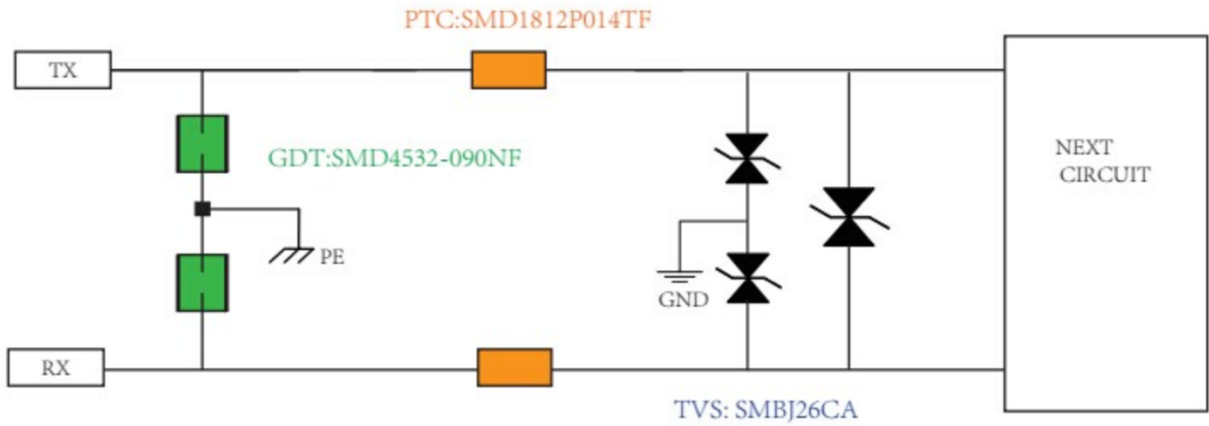
## Communication Port RS232



## Circuit Protection Solution: Automobile CAN Bus

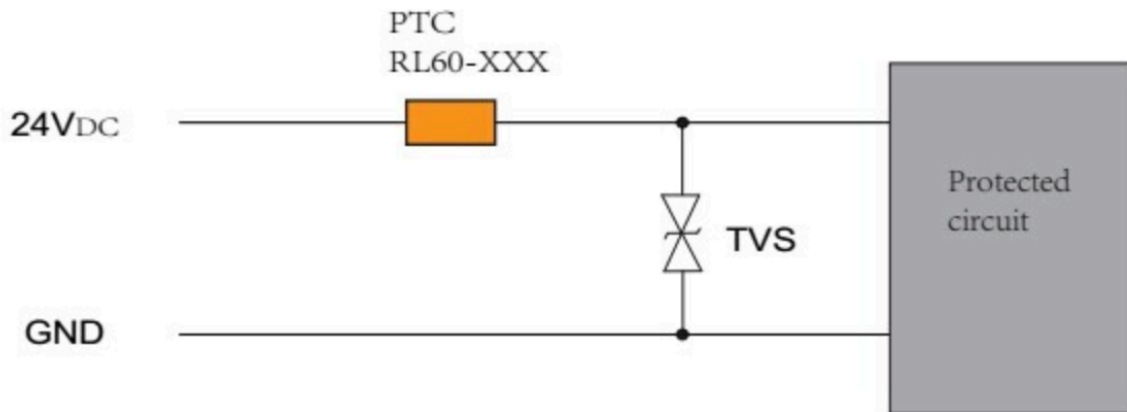
The cost of automotive electronics is about 40% ~ 60% the total cost of a vehicle, various body electronic control systems and in-vehicle electronic control devices are continuously introduced into the automotive design architecture, including various sensor module units, such as temperature, wheel speed, corner and acceleration sensors, equipped with electric assisted steering and electronics.

CAN Bus plays a critical role in the charging, powering and intelligent subsystems of both fossil fueled cars and Electric Vehicles. As a car environment with frequent human contact, electrostatic discharge events (ESD), electrical overload events (EOS), and electrical fast transient events (EFT) often occur during vehicle operation, which is a vehicle for driving. The protection design of the CAN communication interface becomes very important.



### Circuit Protection Solution: Automobile 24V Power

Protection of 24V Power system. Applicable to both Fossil fueled vehicles and Electric Vehicles.



TVS Choice:  
SM8S36CA / 5KP36CA